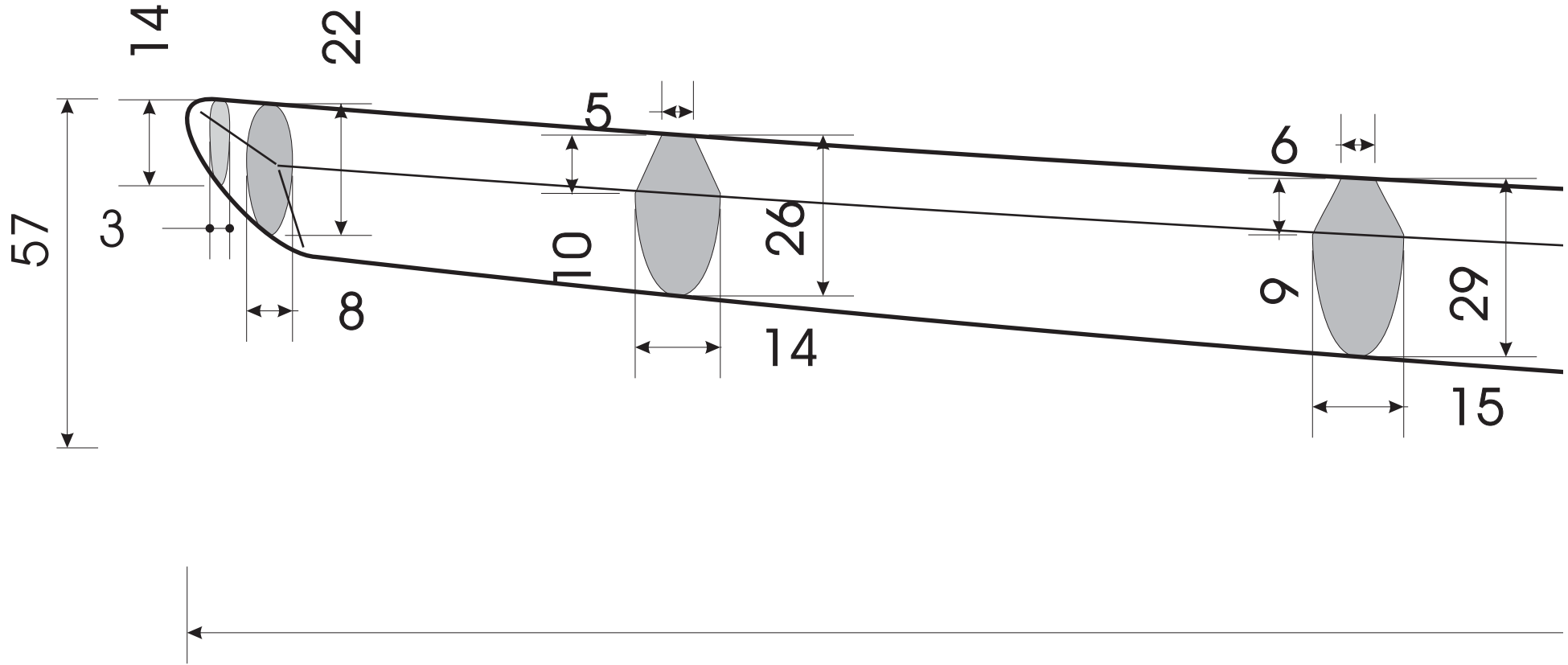
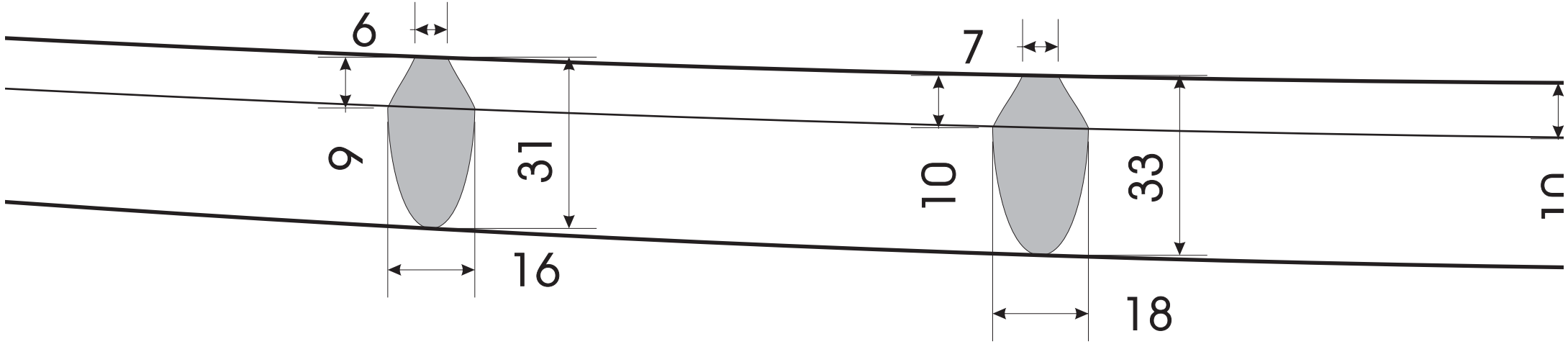


(1, 1)



(2, 2)



10

33

18

10

7

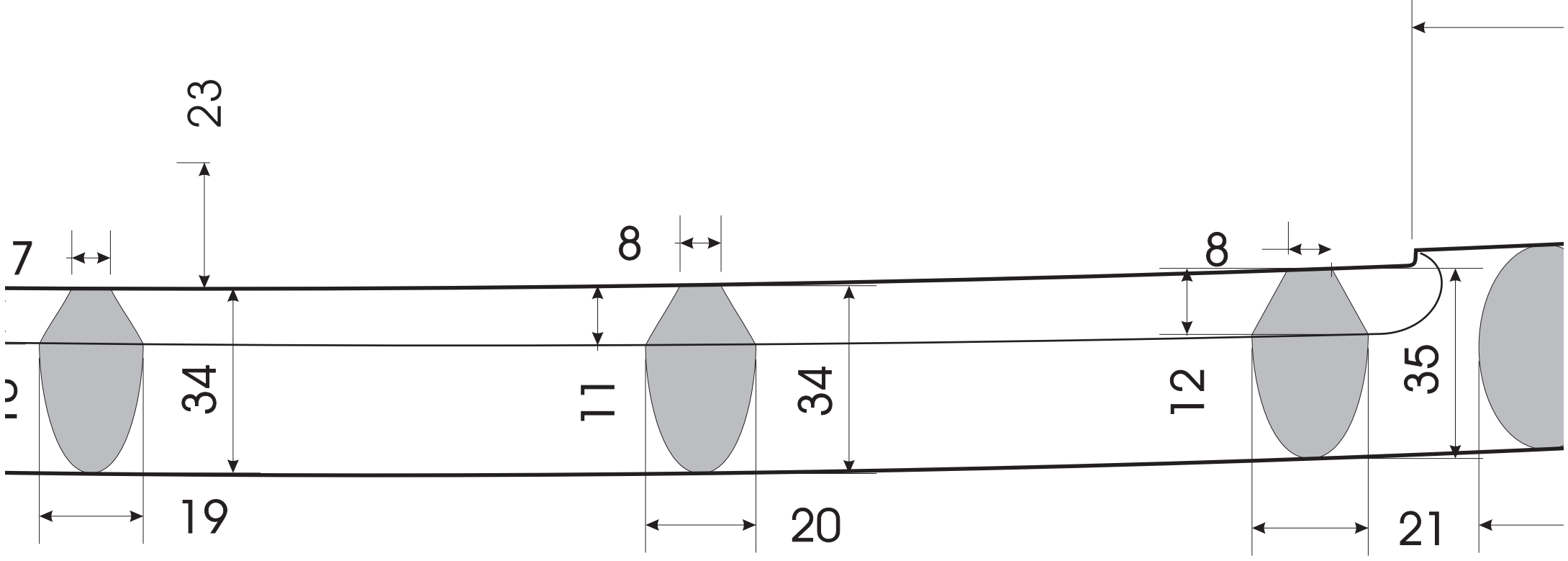
31

16

9

6

(3, 3)



1041

(4, 4)

270

38

24

35

22

